

EASYCUT

Features

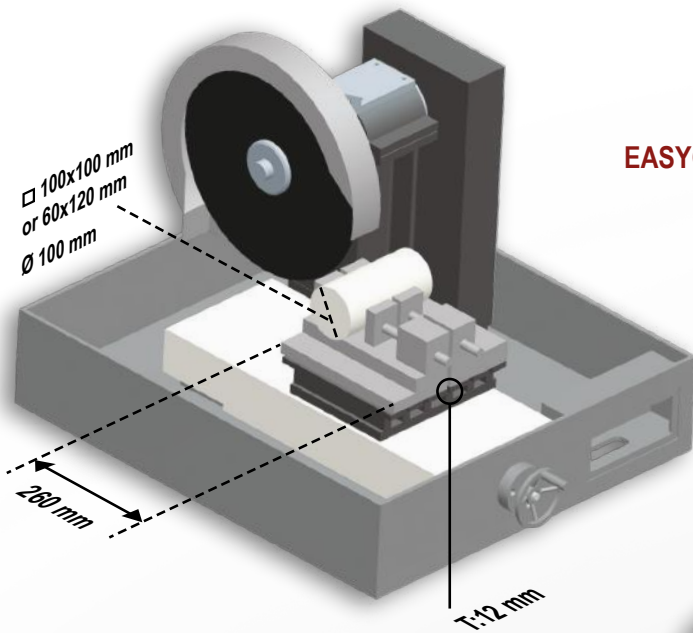
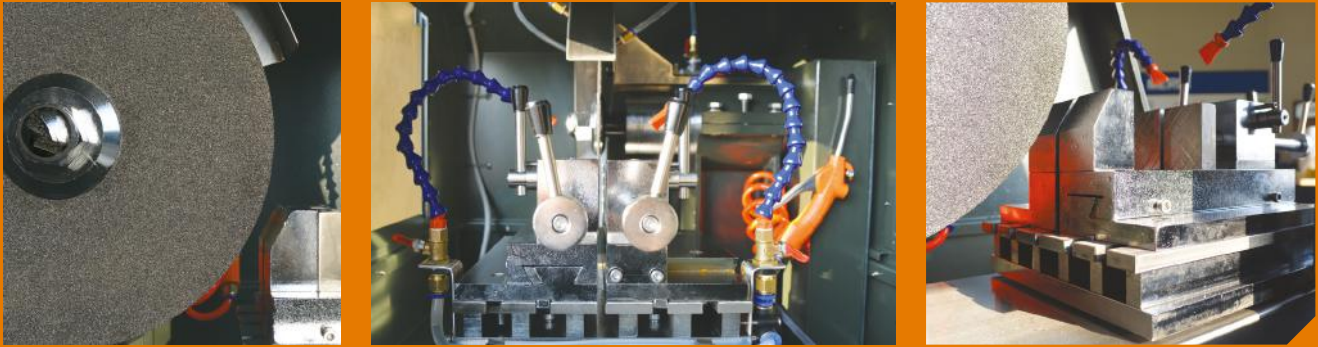
- > Manual floor-type multifunctional metallographic cutting machine, used for cutting irregular metallographic samples
- > Cutting table provided with T-slots to assemble different vices in addition to a double quick clamping system
- > Built-in safety features, internal safety device allows the operation only if the cutting chamber is closed
- > Cutting chamber equipped with LED illumination and ventilation system in order to increase the visibility during the process.
- > Supplied with cooling system to avoid the sample over heating
- > This series is suitable for quality control, scientific research institutes and universities.



Model	EASYCUT-100	EASYCUT-120
Cutting capacity	Max. ø 100mm	Max. ø 100mm
Cutting disc dimensions	Max. ø 350 x ø 32mm	Max. ø 350 x ø 32mm
Cutting depth	100mm	120mm
Working chamber LxW	680x780mm	680x780mm
T-slots table LxW	240x245mm	240x245mm
Y-axis travel	265mm	265mm
Speed	2800rpm	2800rpm
Noise level	<75dB	<75dB
Operating temperature	0+30°C	0+30°C
Humidity non-condensing	<65%	<65%
Motor power	4000W	4000W
Power supply	400V ±10% - 50/60Hz - 3Ph	400V ±10% - 50/60Hz - 3Ph
Cooling tank	Capacity	100l
	Dimensions	640x460x680mm
	Weight	50kg
Machine	Dimensions	760x850x1400mm
	Weight	380kg

Standard accessories

Clamp for metallic material, such as steel, iron, aluminium, copper, etc.; cooling tank with pipes; spanners 36mm-46mm; cutting disc ø 380x2.8xø32



EASYCUT-100

EASYCUT-120

